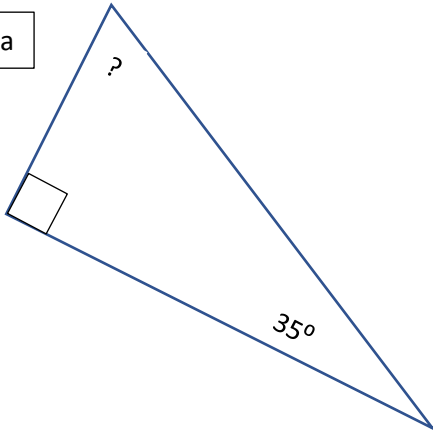


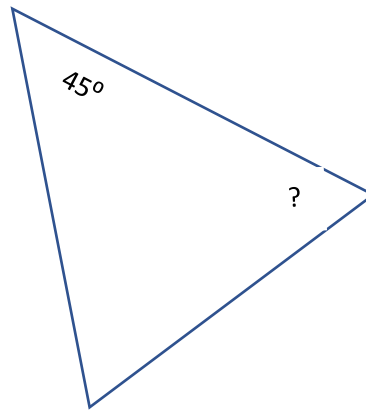
Missing Angles in Right-Angled & Isosceles Triangles

TASK: Find the missing angles of these triangles.

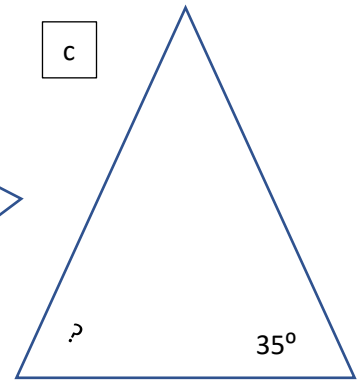
a



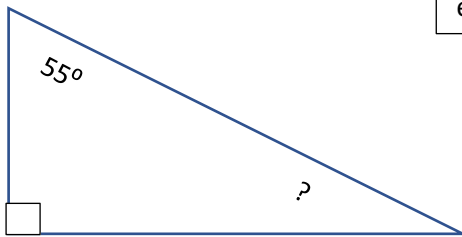
b



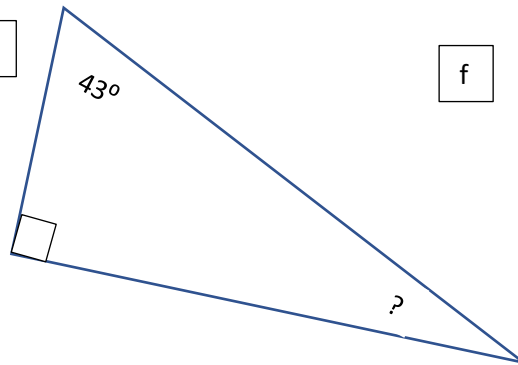
c



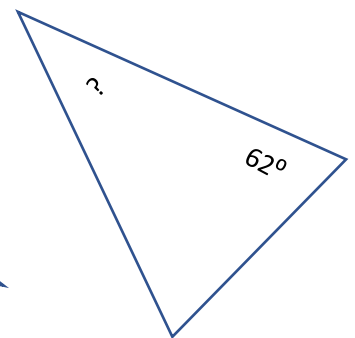
d



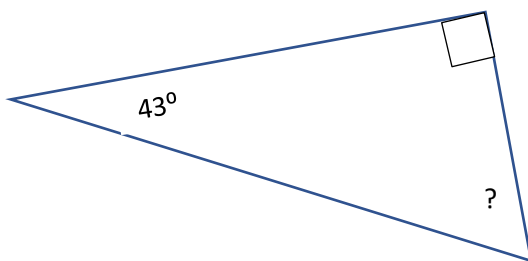
e



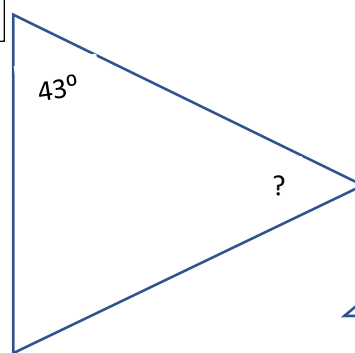
f



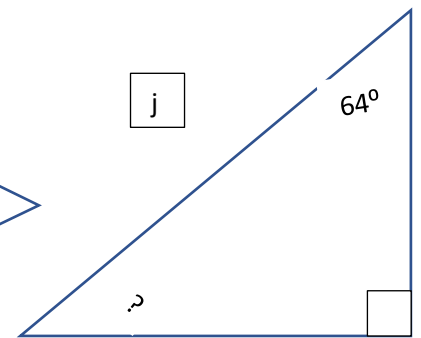
g



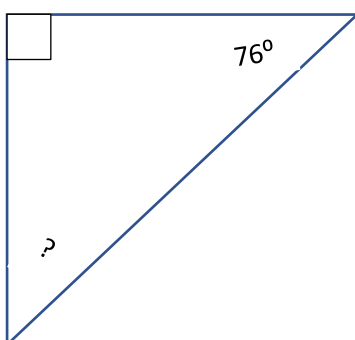
h



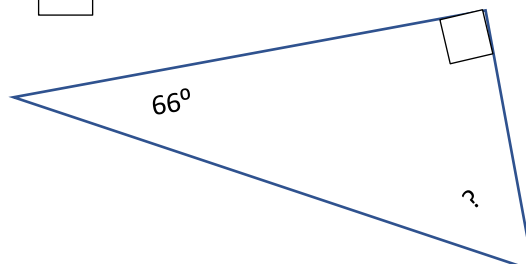
j



k



l



m

